

## CLEARHORN SPEAKER WT-7006N

6w  
MAX



## CLEARHORN SPEAKER WT-7015N

15w  
MAX



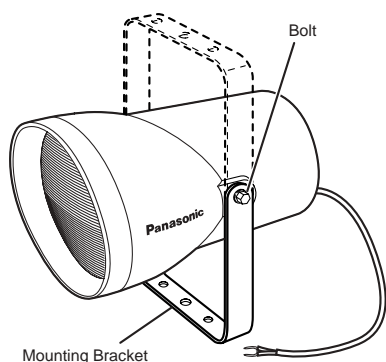
## CLEARHORN SPEAKER WT-7030N

30w  
MAX



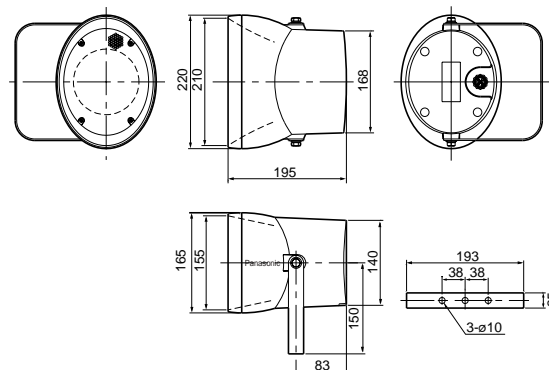
### Installation

Adjust speaker directivity, loosen two bolts on the sides of the speaker and then position the speaker at the appropriate angle. Retighten the bolts firmly.

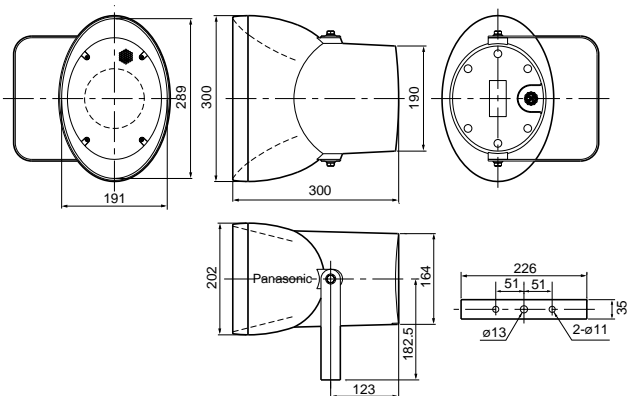


### Appearance

#### WT-7006N

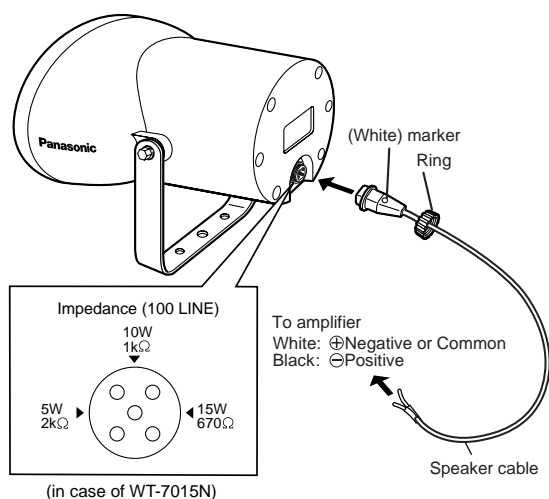


#### WT-7015N, WT-7030N



unit: mm

### Connections



### SPECIFICATIONS

Model No.	WT-7006N	WT-7015N	WT-7030N
Rated Input	6 W	15 W	30 W
Input Impedance	1.7 kΩ (6 W), 3.3 kΩ (3 W), 10 kΩ (1 W)	670 Ω (15 W), 1 kΩ (10 W), 2 kΩ (5 W)	330 Ω (30 W), 500 Ω (20W), 1 kΩ (10 W)
Sound Pressure Level	96 dB (1 m/ 1 W)	99 dB (1 m/ 1 W)	101 dB (1 m/ 1 W)
Frequency Response	200 ~ 12,000 Hz	180 ~ 15,000 Hz	180 ~ 15,000 Hz
Dimensions (W) x (H) x (D)	220 x 233 x 195 mm (with bracket)	300 x 284 x 300 mm (with bracket)	300 x 284 x 300 mm (with bracket)
Weight (Approx.)	1.5 kg	2.7 kg	3.3 kg
Finish	ABS resin (Munsell 2.1Y 7.7/1.1)		

\*Refer to the speaker color samples on Page 32.