

WALL-MOUNTED SPEAKERS & SPEAKER VOLUME CONTROLLERS

WALL-MOUNTED
SPEAKER

WS-2330N

3w



WALL-MOUNTED
SPEAKER

WS-2335N

3w



WALL-MOUNTED
SPEAKER

WS-2360N

6w



SPEAKER VOLUME CONTROLLERS

WZ-550N/3-5
WZ-550N/6-30



SPEAKER VOLUME
CONTROLLER BOX

WZ-598N

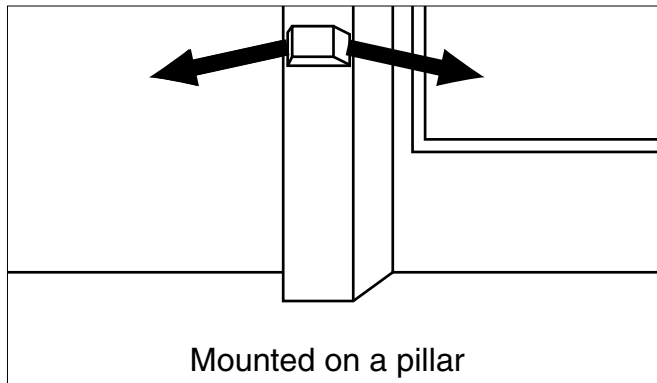


Wall-Mounted Speakers

- Refined appearance to match the wall
- Small and simple design
- High performance 12cm speaker
- Volume Attenuation Level can be controlled between 0, -6dB, -12dB, $-\infty$ by the slide switch. (WS-2335N only)
- Available to deliver sound in two directions at the same time (WS-2360N only)

Installation example for a Bi-Directional Speaker (WS-2360N)

Speaker delivers sound in two directions at the same time and is ideally suited for passageways.

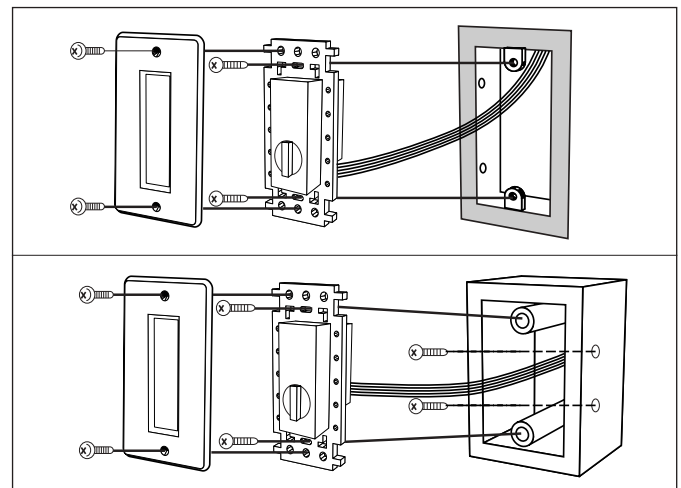


Speaker Volume Controllers

Volume controllers are useful in public address systems. Even if the volume of the speaker is changed, the impedance of the circuit is kept constant. Further, they are designed to make a remote controlled emergency announcement possible regardless of the setting position of the controller.

WZ-598N is used for mounting WZ-550N series volume controllers.

This is a surface-mounted type housing for a volume controller which can be mounted on walls, partitions, etc.



SPECIFICATIONS

Model No.	WS-2330N	WS-2335N	WS-2360N
Rated Input	3 W	3 W	6 W
Input Impedance	3.3 kΩ, 5 kΩ, 10 kΩ	3.3 kΩ	1.65 kΩ, 2.5 kΩ, 5 kΩ
Frequency Response	150 - 15,000 Hz	150 - 15,000 Hz	150 - 15,000 Hz
Sound Pressure Level	92 dB (1 m/ 1 W)	92 dB (1 m/ 1 W)	92 dB (1 m/ 1 W)
Speaker	12 cm cone speaker	12 cm cone speaker	Two 12cm cone speakers
Volume Attenuation Level	—	0, -6 dB, -12 dB, $-\infty$	—
Dimensions (W x H x D)	290 x 214 x 100 (long)/ 74 (short) mm	290 x 214 x 100 (long)/ 74 (short) mm	290 x 214 x 130 mm
Weight (approx.)	1 kg	1 kg	1.4 kg
Finish	High-impact Polystyrene (94 -V0 grade) (similar to Munsell 5Y8.5 /1)	High-impact Polystyrene (94 -V0 grade) (similar to Munsell 5Y8.5 /1)	High-impact Polystyrene (94 -V0 grade) (similar to Munsell 5Y8.5 /1)

*Refer to the speaker color samples on Page 32.

SPECIFICATIONS

Model No.	WZ-550N/3-5	WZ-550N/6-30	WZ-598N
Rated Input	3 W ~ 5 W	6 W ~ 30 W	—
Impedance	2 ~ 3.3 kΩ	—	—
Dimensions (W x H x D)	70 x 120 x 46.8 mm	70 x 120 x 49.3 mm	70.5 x 120.5 x 40.5 mm
Weight (approx.)	114 g	189 g	64 g
Finish	Plate: Aluminum brushed finish	Plate: Aluminum brushed finish	ABS resin, Silver painting